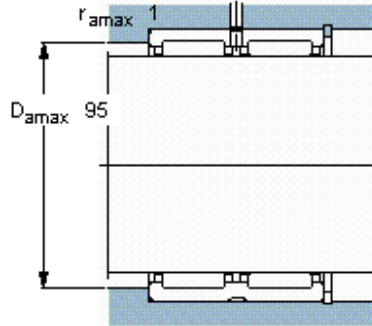
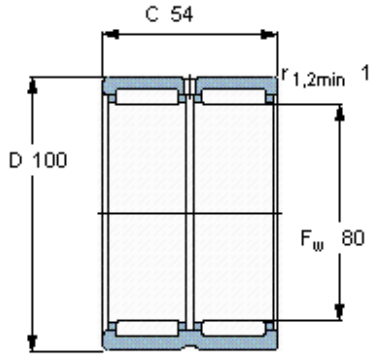


Needle roller bearings, with machined rings, with flanges, without an inner ring

Principal dimensions			Basic load ratings		Speed ratings		Designation
F <sub>w</sub>	D	C	dynamic C	static C <sub>0</sub>	Reference speed	Limiting speed	
mm			kN		r/min		-
<b>80</b>	100	54	128	285	5000	5600	<b>RNA 6914</b>



**Appropriate seals**

G seal	-
SD seal	-
CR seal	80x100x10 HMS5 RG